



Alora Bedside Crib Instruction Manual

Designed and Made in Great Britain

Conforms to BS 1130:2019

Radically Better, Radically Kinder

IMPORTANT!
**READ CAREFULLY AND KEEP FOR FUTURE
REFERENCE.**

1. WARNINGS:

WARNING:

- Do not use this product without reading the instructions before first use.
- Stop using the product as soon as the child can sit, or kneel, or pull itself up.
- Product is not suitable for children weighing more than 9kg.
- Placing additional items in the product may cause suffocation.
- Do not place the product close to another product, which could present a danger of suffocation or strangulation, e.g. strings, blind/curtain cords, etc.
- Do not use more than one mattress in the product.
- Do not place more than one child in the crib at once.
- To avoid hazards from the child's neck being caught on the top fixed rail on the side that is next to the adult bed in the bedside configuration, the top fixed rail must not be higher than the adult bed mattress.
- To avoid the risk of your child being strangled in the bedside crib configuration the attachment system to the adult's bed shall always be kept away from and out of the crib.
- Keep the product out of the vicinity of burning cigarettes, open fires and other sources of strong heat, such as electric bar fires, gas fires, etc.

Please also read separate Alora natural mattress instructions included with this product before first use.

All assembly fittings should always be tightened properly and care should be taken that no bolts or other fittings are loose, because a child could trap parts of their body or clothing (e.g. strings, necklaces, ribbons for babies' dummies, etc.), which would pose a risk of strangulation, or the crib could collapse.

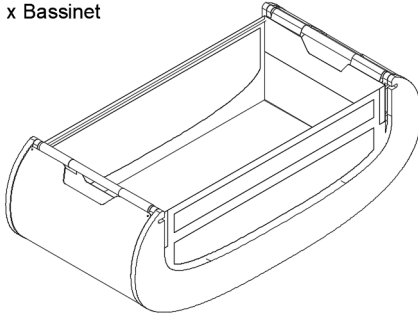
The product is to be used with the mattress supplied or a replacement Alora natural mattress. The mattress shall be no more than 770 x 410 mm in plan and no less than 750 x 390mm in plan, i.e. no more than 20 mm smaller than the bedside crib internal dimensions. The maximum thickness of the mattress shall be 35mm. Do not add a second mattress as this will create a suffocation hazard.

The crib is only suitable as a bedside crib with a double, queen, king or super king sized bed that has a mattress height of 540mm to 760 mm from floor to top of mattress and that has a separate mattress and frame or base. It is not suitable for bedside use with water beds, beds with protruding frames, sofa beds, folding beds, or futons.

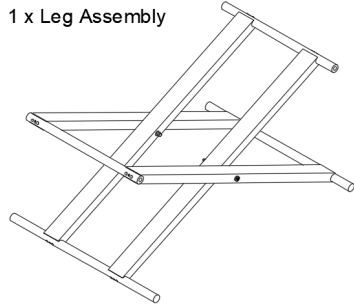
2. Setup:

The Alora bedside crib should include the following parts:

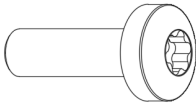
1 x Bassinet



1 x Leg Assembly



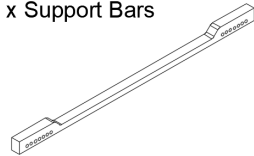
4 x Bolts



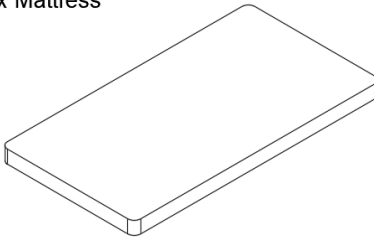
1 x Allen Key



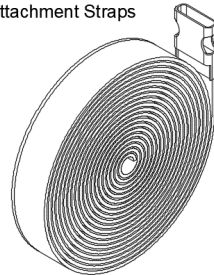
2 x Support Bars



1 x Mattress



2 x Attachment Straps



DO NOT use the crib if any parts are missing, damaged or broken. Contact Alora Baby Ltd for replacement parts and instructional literature if needed. DO NOT substitute parts.

You will also need:

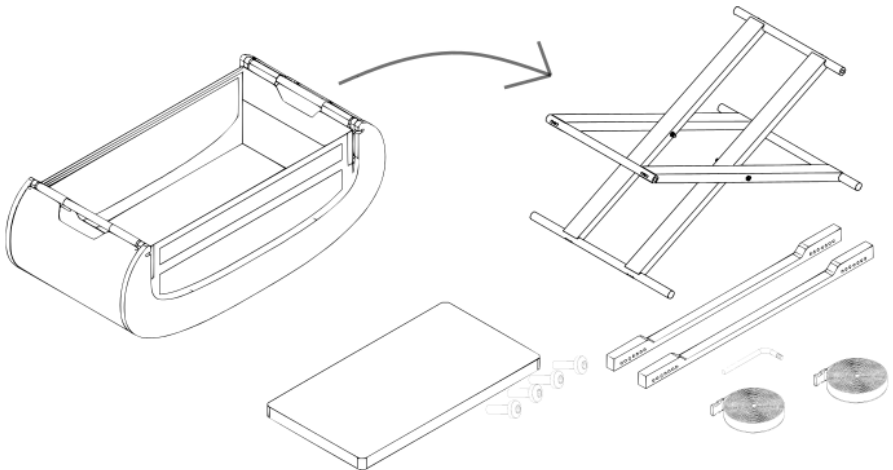
- 1 person (2 people if assembling for bedside use)
- 20 minutes
- 1 tape measure

Go to 2.1 for bedside crib assembly or 2.2 for standalone assembly.

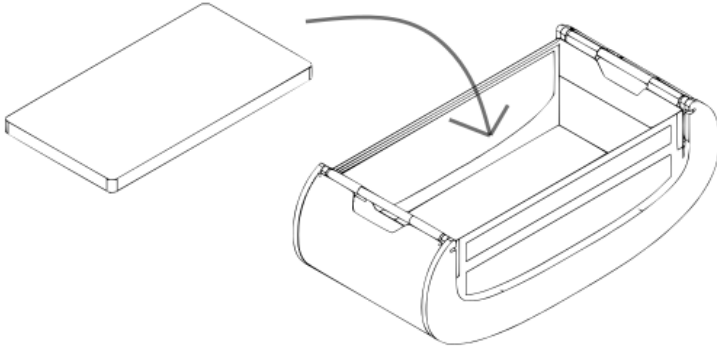
2.1. Assembly as a Bedside Crib

If used as a bedside crib the height must be set to suit the bed it is attached to and the attachment strap used as detailed below.

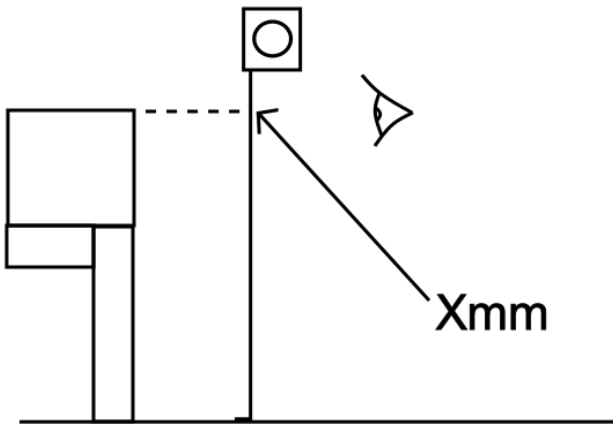
- Remove the leg assembly, bolts, allen key, support bars, mattress and attachment strap from inside the bassinet.



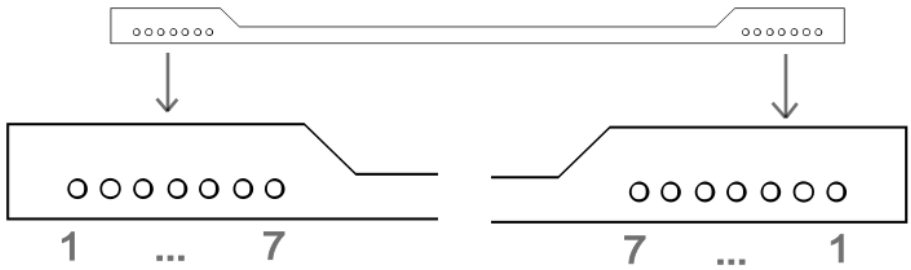
- Remove the mattress from the packaging and place it flat inside the bassinet.



- C. Measure the height of the top of your mattress above the floor with a tape measure in cm.

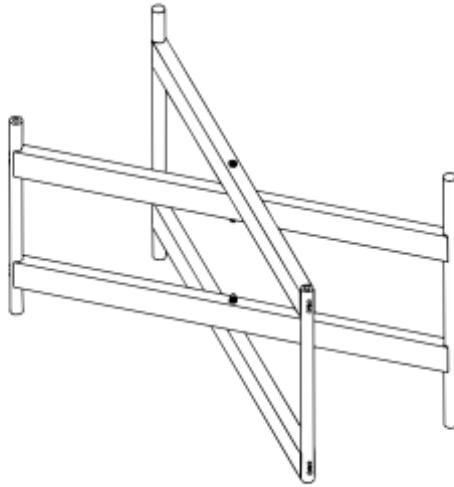


- D. Select the correct holes on the support bars based on the height of the mattress using the below diagram and table.

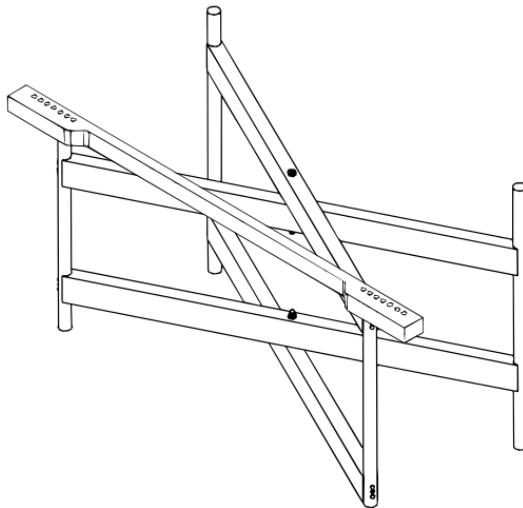


Bed Height (cm)	Hole Number
74.1 to 76.0	7
71.1 to 74.0	6
68.1 to 71.0	5
65.1 to 68.0	4
62.1 to 65.0	3
58.1 to 62.0	2
54.0 to 58.0	1

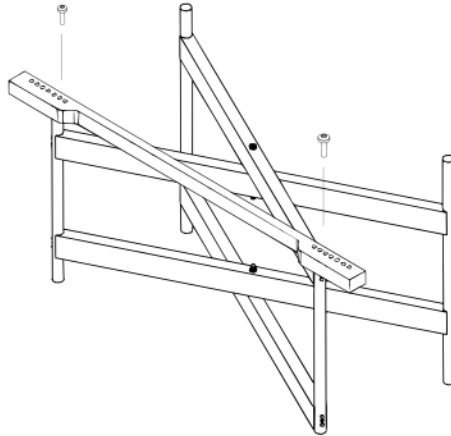
E. Open the leg assembly and lie it on its side on the floor



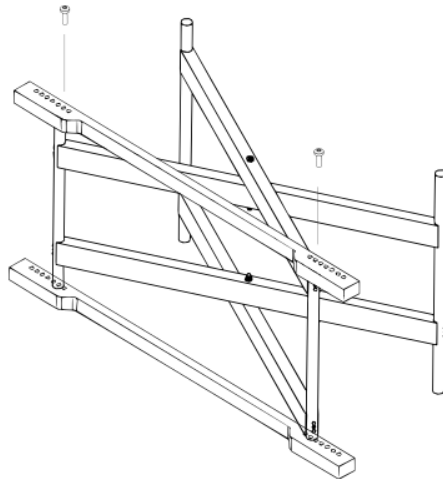
F. Place the first support bar on-top of the leg assembly as shown below.



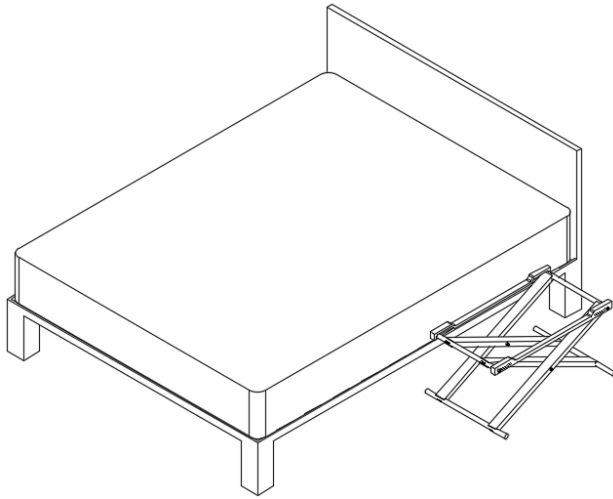
G. Insert 2 bolts through the holes in the support bar which you identified in point D and screw into the inserts on the leg assembly using the allen key to tighten.



H. Flip the leg assembly and repeat step 7 with the other support bar.

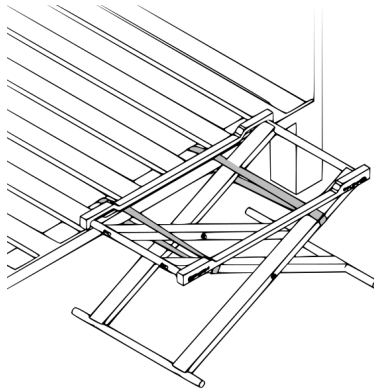


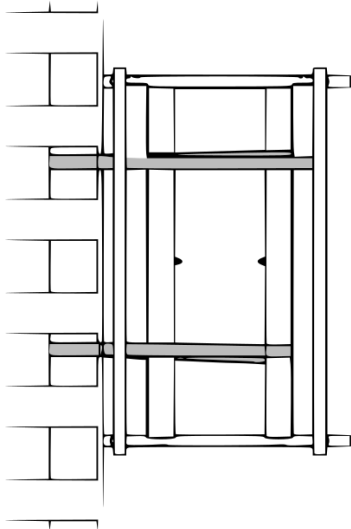
I. Lift the leg assembly into the upright position with the support bars held above the floor, and place it next to the bed.



J.

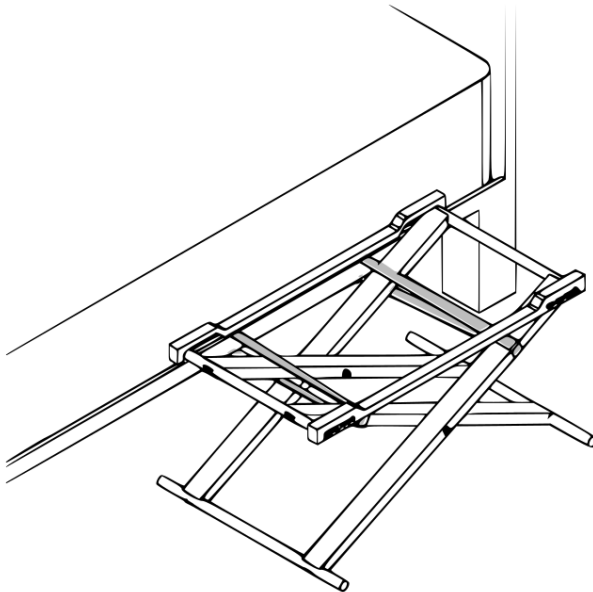
- a. If the bed has a frame, remove the adult mattress, loop one attachment strap around the frame and the upper half of a leg furthest from the frame, clip the strap together and tighten until there is a little slack. Repeat with the other attachment strap on the other leg furthest from the frame.



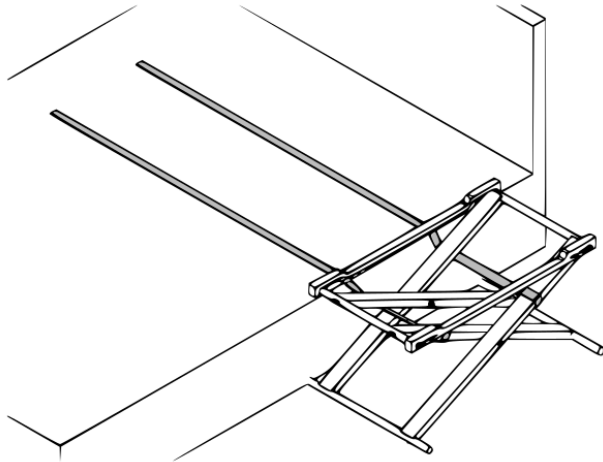


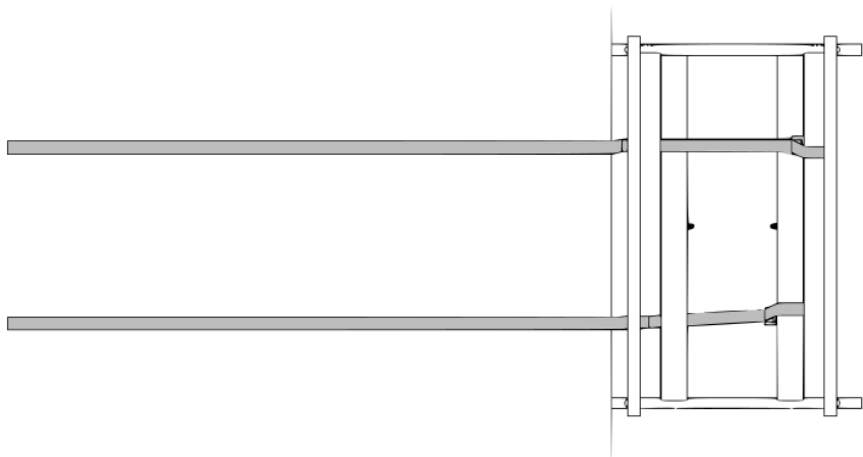
View from above

Then replace the adult mattress:



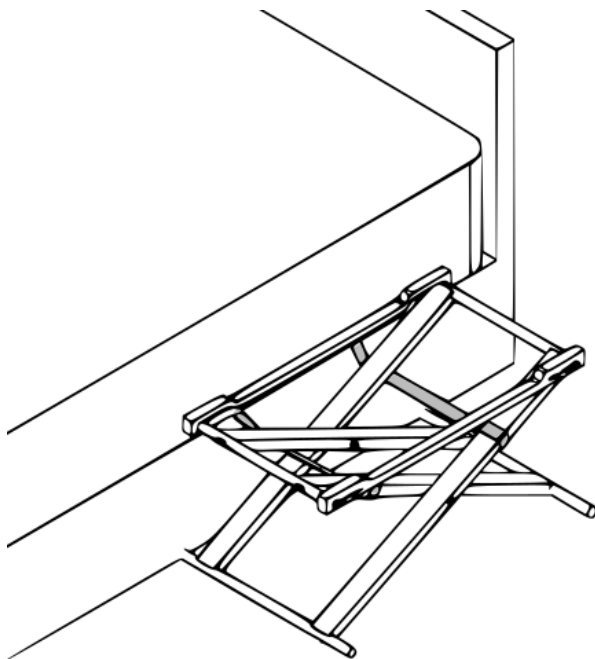
- b. If the bed has a solid base, remove the adult mattress, loop the attachment strap around the upper half of the leg furthest from the frame, clip the strap together and tighten until there is a little slack, then run the tail of the strap between the base of the bed and the adult mattress. Repeat with the other attachment strap.



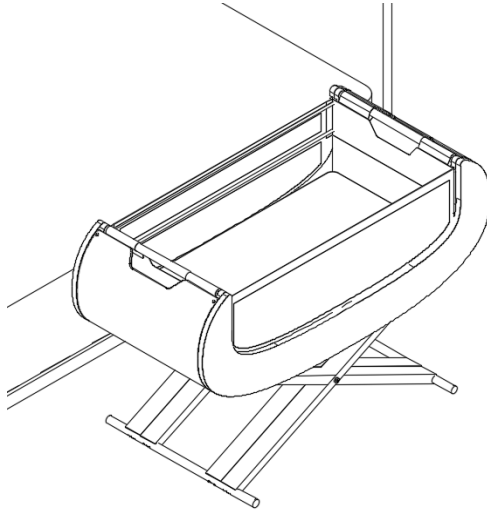


View from above

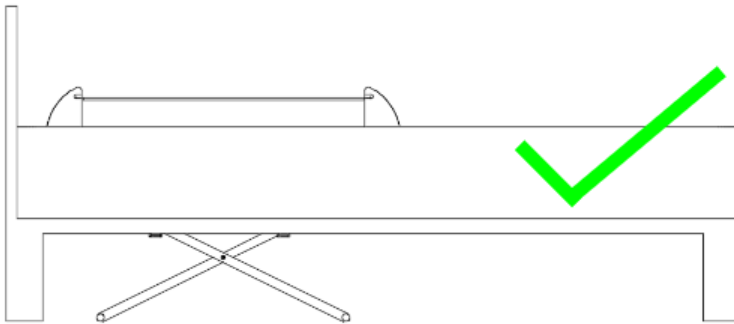
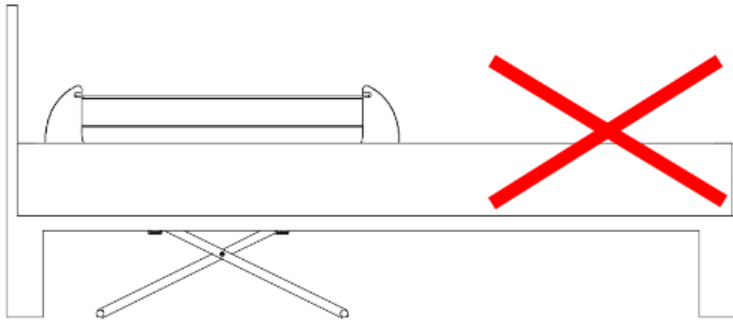
Replace the adult mattress:



- K. Place the bassinet on the legs with the drop-down side towards the bed and check it is flat. If it is not flat, check that the bassinet is correctly located on the legs. Adjust the straps if required until the bassinet is flat and located on the legs with the strap taught.



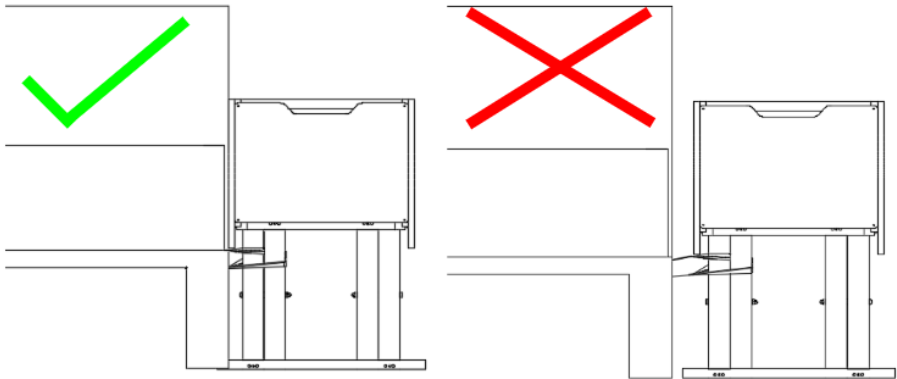
Check that the top of the mattress of the adult bed is above, or in line with the drop-down side in its lowest position.



The crib should not be used as a bedside crib without using both of the attachment straps provided, alternative means should not be used. To prevent suffocation hazard from entrapment, the bedside crib must be properly secured to the adult bed using the attachment straps.

There must never be a gap between the side of the bedside sleeper and the mattress of the adult bed when used as a bedside sleeper. Check the tightness of the attachment system before each use by pulling the bedside sleeper in a direction away from the adult bed to check for no gap.

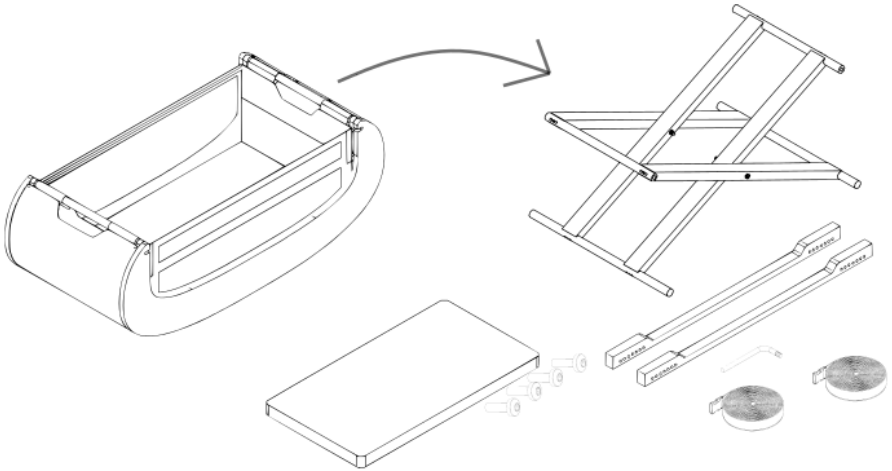
If there is any gap between the crib setup for bedside use and the adult bed DO NOT use the product. Gaps should not be filled with pillows, blankets or other items.



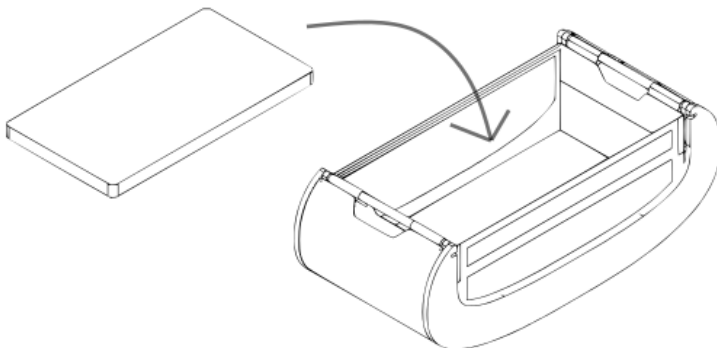
Always ensure that the adult's bedding, sheets etc. does not enter or cover the bedside crib.

2.1. Assembly as a Standalone Crib

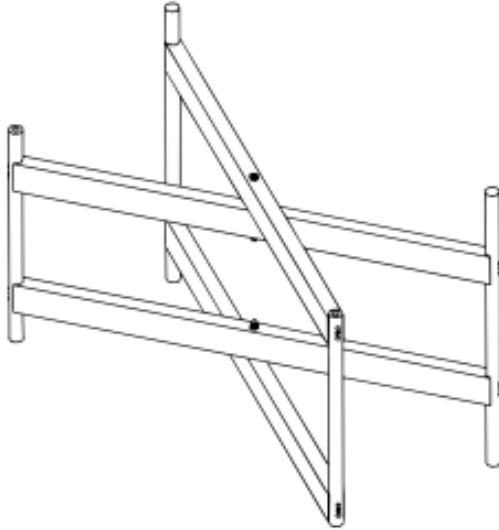
- A. Remove the leg assembly, bolts, allen key, support bars, mattress and attachment strap from inside the bassinet.



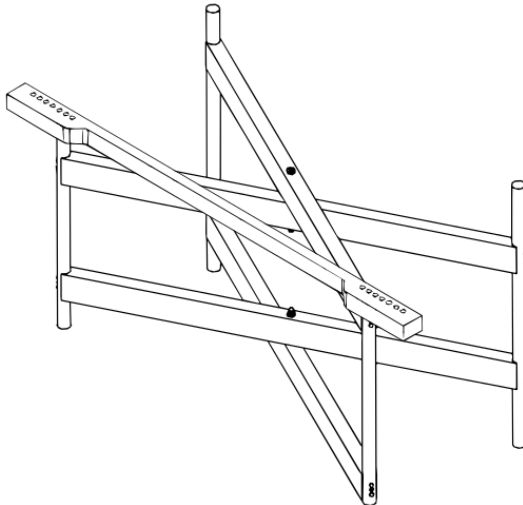
- B. Remove the mattress from the packaging and place it flat inside the bassinet.



C. Open the leg assembly and lie it on its side on the floor

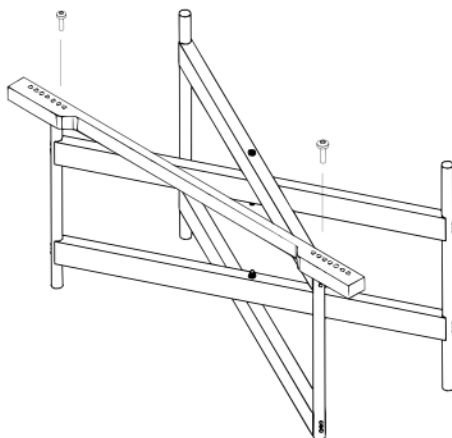


D. Place the first support bar on-top of the leg assembly as shown below.

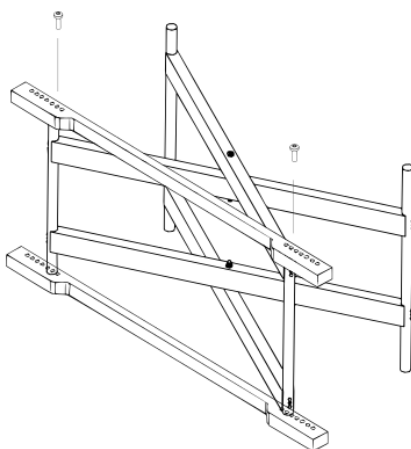


E. Insert 2 bolts through the holes in the support bar to set the desired height of the crib using the allen key to tighten. Note,

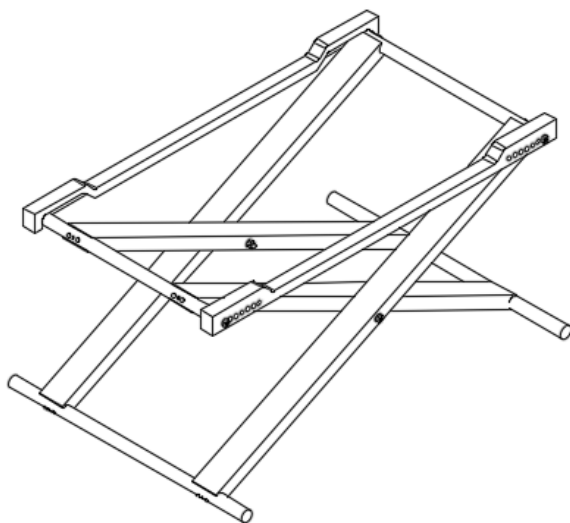
the bolts should be through the equivalent hole on each side of the support bar to ensure the crib is flat.



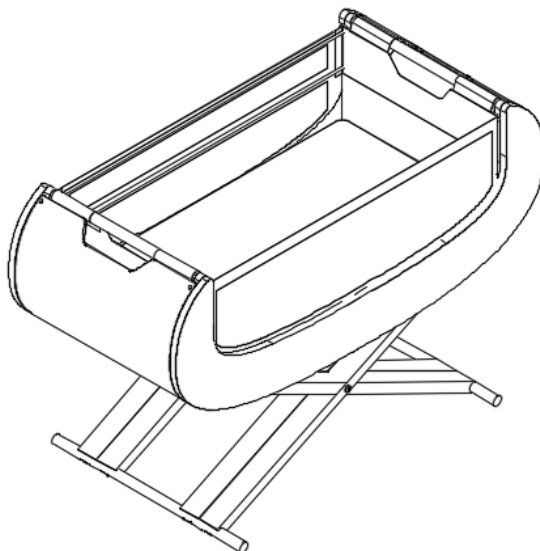
- F. Flip the leg assembly and repeat step 7 with the other support bar.



- G. Lift the leg assembly into the upright position and place it in the desired location on a flat floor.



H. Place the bassinet on the legs and check it is flat. If it is not flat, check that the bassinet is correctly located on the legs.



3. Care Instructions

Wooden parts of the crib can be wiped down with a damp cloth and mild detergent. It should then be wiped down with a damp cloth without detergent and dried fully before reuse.

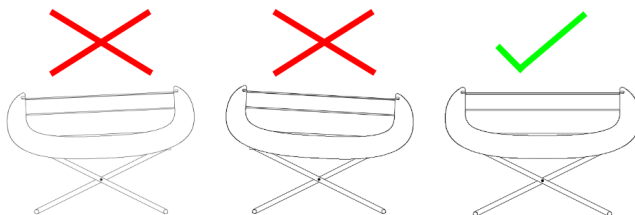
The crib liner can be wiped down with a damp cloth and mild detergent. It should then be wiped down with a damp cloth without detergent and dried fully before reuse. For more serious soiling of the crib liner, it can be removed from the bassinet as detailed below and washed as per the care instruction label. The liner should be left to dry naturally and only replaced in the bassinet when completely dry. The crib should not be used without the liner being correctly installed.

4. Use:

Young children or pets should not be allowed to play unsupervised in the vicinity of the crib.

The baby should be removed from the bassinet before moving it from the stand or making any adjustments to the stand or bassinet.

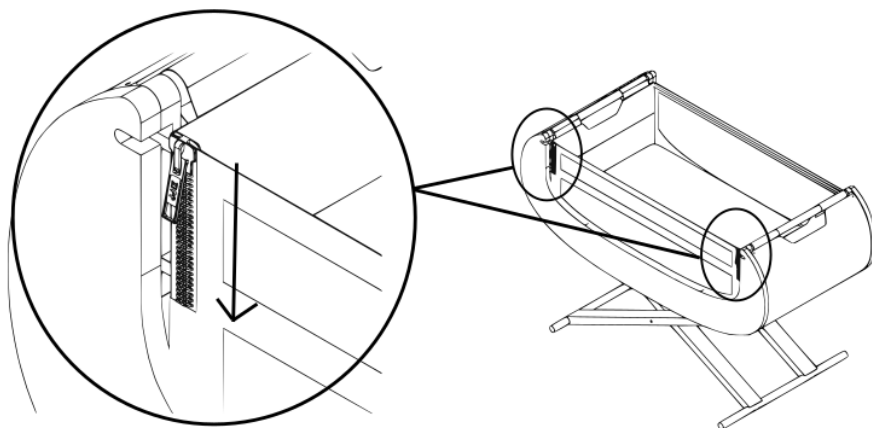
When the bassinet is on the legs it should be horizontal. The crib should not be left inclined. Correct location of the bassinet on the legs is shown below:



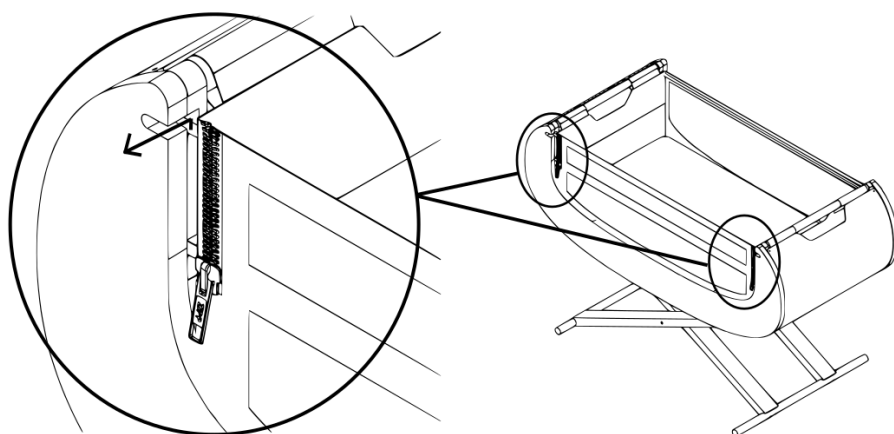
4.1 Operating the Drop-Down Side

To lower the drop-down side:

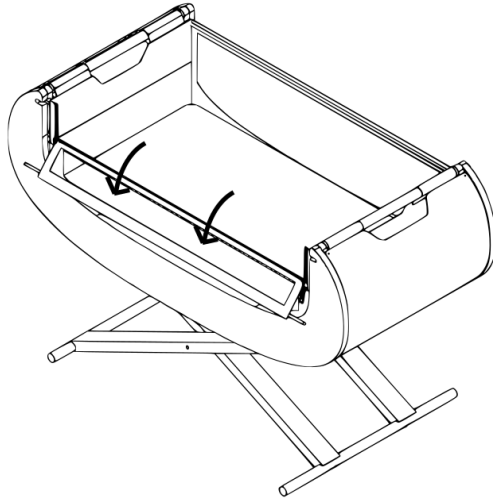
- A. Unzip both zips on the drop-down side



- B. Pull upper rod up and out of slot towards user

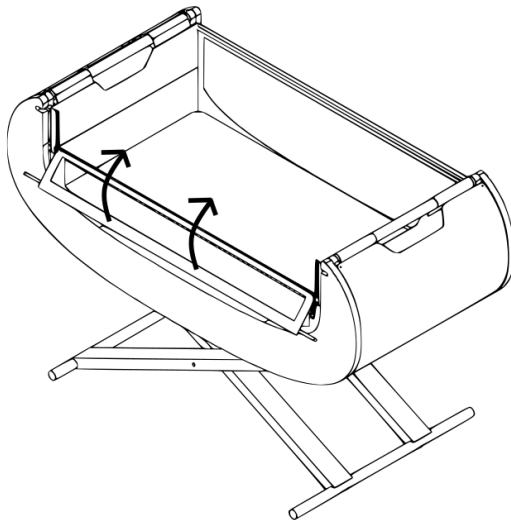


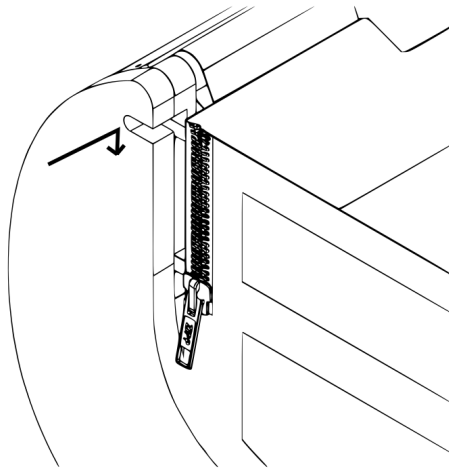
C. Allow upper rod to hang down onto the adult bed.



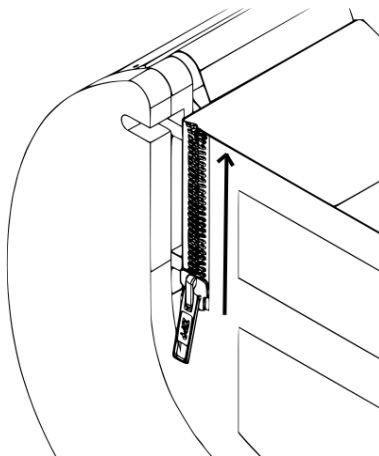
To raise the drop-down side:

1. Lift upper rod and place into slots on either side of the crib





2. Zip up both zips on the drop-down side



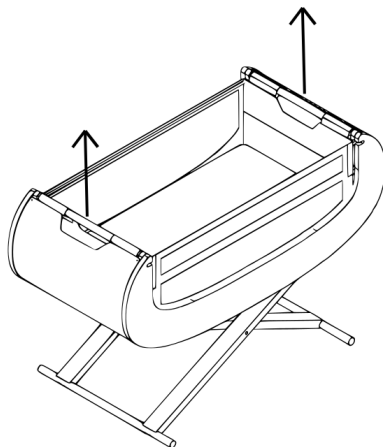
The drop-down side should be fixed in the up position when the child is left unattended in the crib.

DANGER! - Always completely raise the drop-down side when the crib is not attached to the adult's bed, when the baby is unsupervised or when the bassinet is removed from the legs.

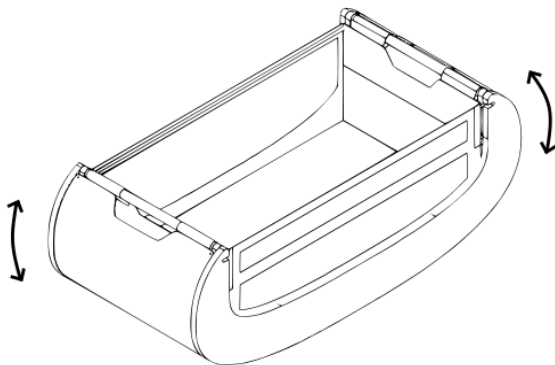
4.2 Removing the Bassinet from the legs

Always remove your baby from the bassinet before moving the bassinet or removing it from the legs.

- A. Hold the empty bassinet by its handles and lift upwards to remove from the legs.



The bassinet can be used on a flat floor and is designed to rock on a flat surface. When the bassinet is on the floor, it should not be rocked more than 10 degrees.



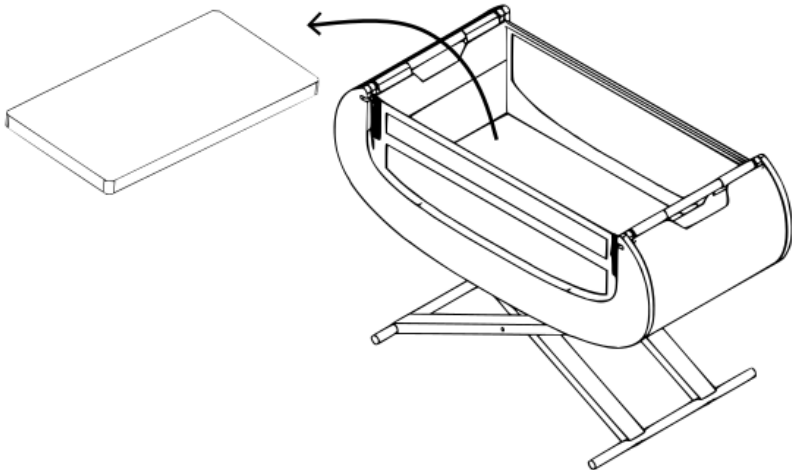
4.3 Removal of crib liner for cleaning

Removal of the crib liner should only be carried out when cleaning with a damp cloth is not sufficient.

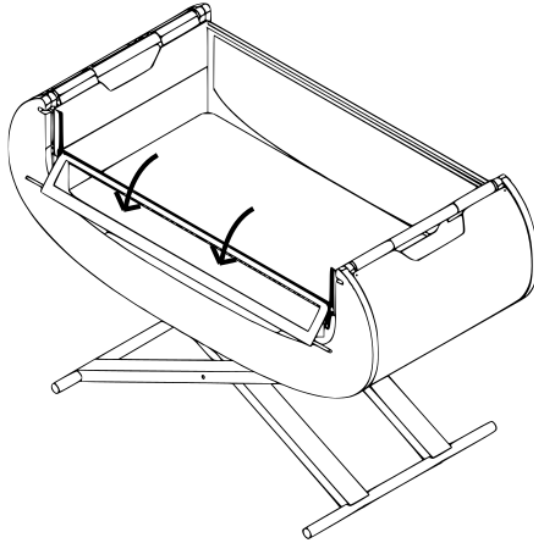
The crib should not be used without the crib liner being in place in the bassinet.

To remove the crib liner:

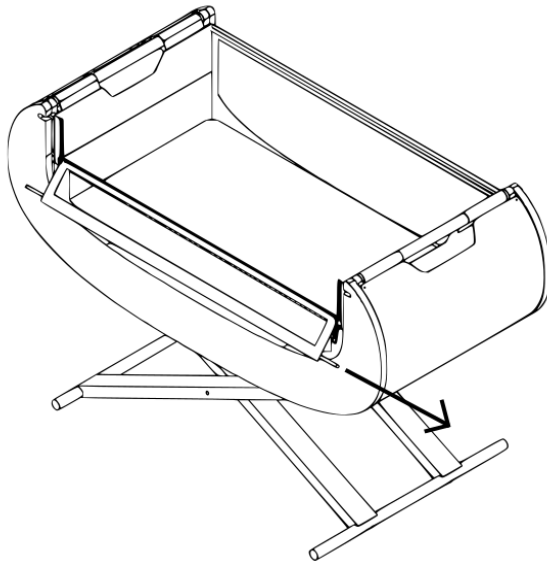
- A. Remove the mattress from the crib.



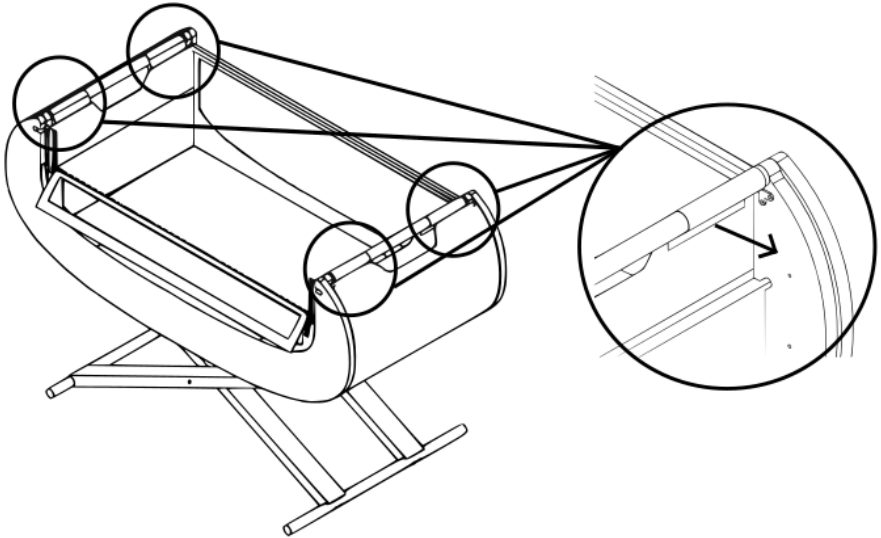
- B. Unzip the zips for the drop-down section and remove the upper bar from the slots in the crib.



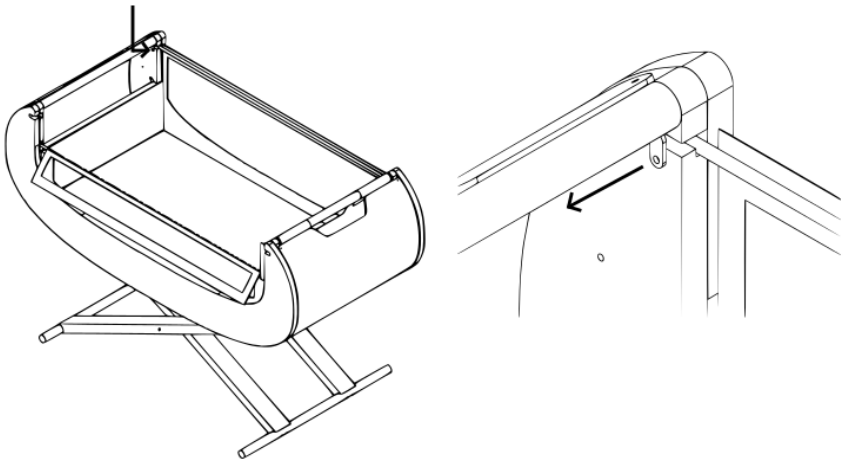
- C. Pull the upper bar out of the crib liner.



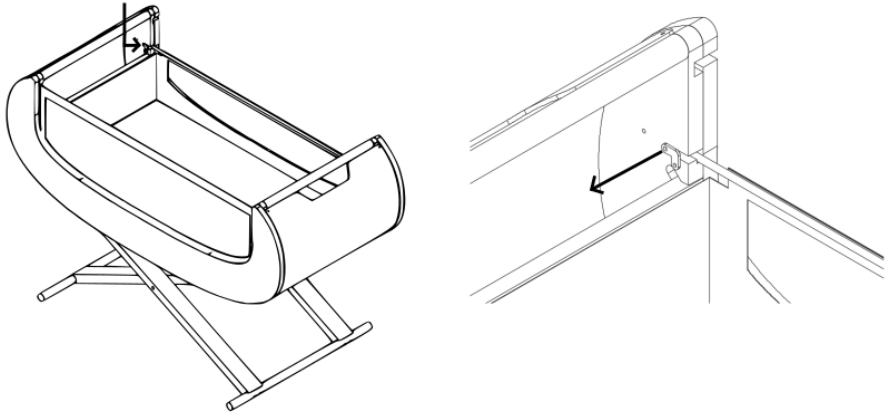
- D. Reach behind the end panels and undo the 2 velcro straps of the crib liner over the handlebars at each end.



- E. Unscrew one screw on one L-bracket holding the upper bar in place on the non-drop-down side, rotate the bracket and remove the upper bar from the bassinet.

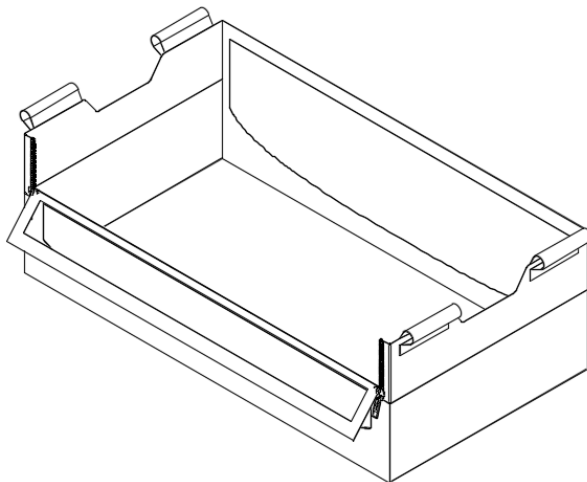


- F. Unscrew one screw on one L-bracket holding the middle bar in place on the drop-down side, rotate the bracket and remove the middle bar from the bassinet.



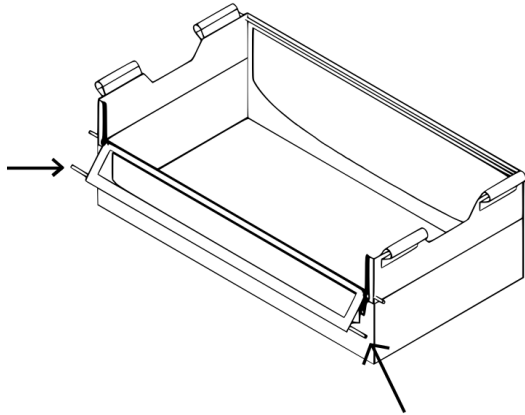
REMEMBER TO KEEP THE SCREWS SOMEWHERE YOU WON'T LOSE THEM!

- G. Slide the remaining two bars out of the crib liner and remove the liner from the bassinet.

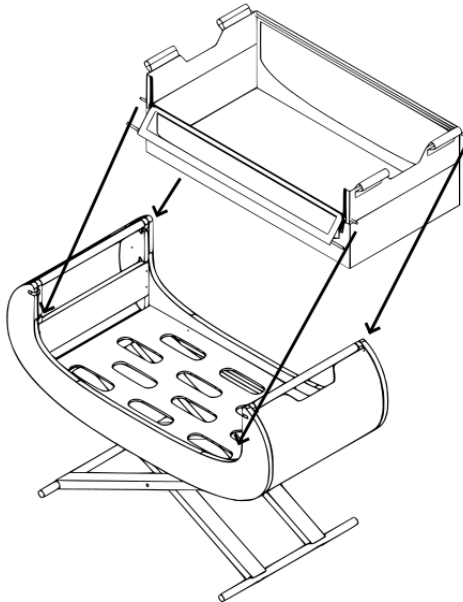


To replace the crib liner:

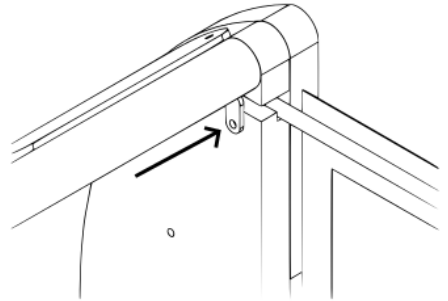
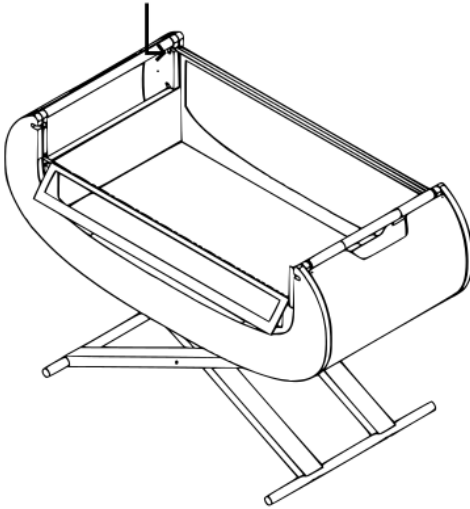
- A. Slide the bars back into the liner - the bar with end caps is the upper bar on the drop-down side marked with arrows below..



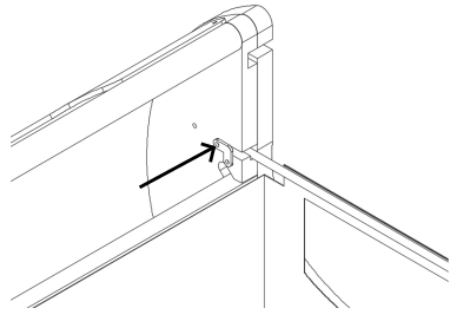
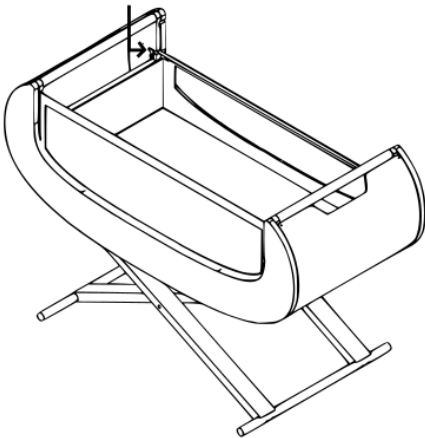
- B. Place the liner with bars in the bassinet.



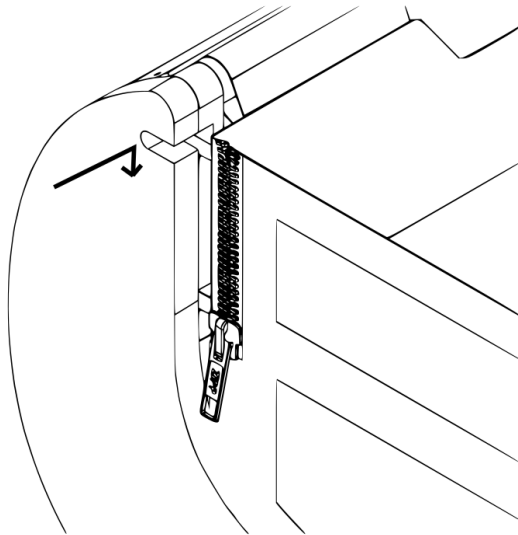
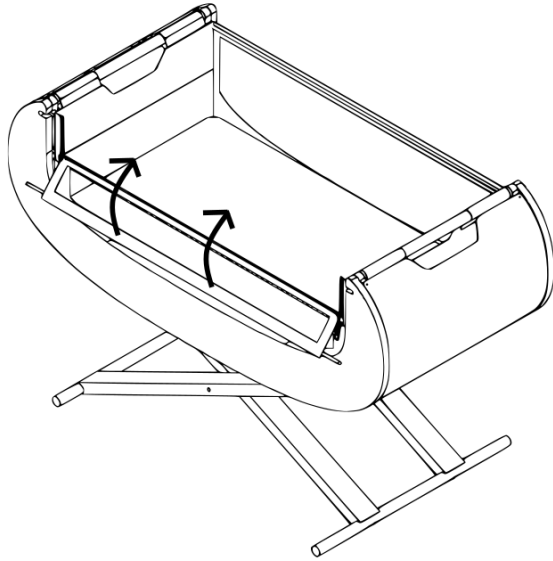
- C. Align the upper bar on the non-drop-down side into the slots on the bassinet and re-attach the L-bracket.

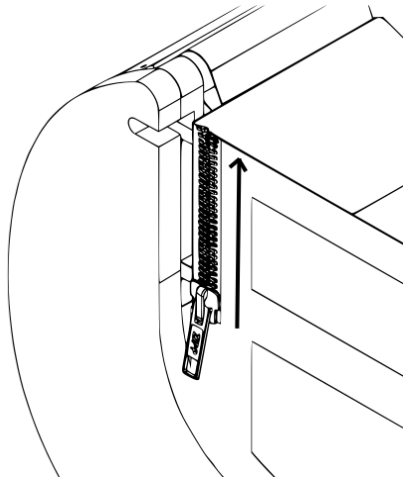


- D. Align the middle bar on the drop-down side into the slots on the bassinet and re-attach the L-bracket.

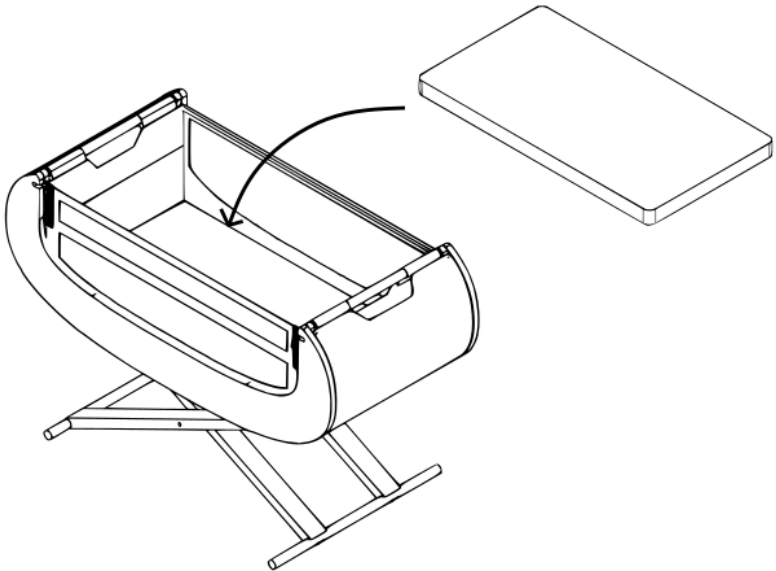


- E. Place the upper bar on the drop side in the slot and do up the zips on either side of the crib.





- F. Push the liner into the corners of the crib, re-attach the velcro straps over the handle bars and replace the mattress in the base of the crib.



5. Buy-Back

Done with your crib and want to do good for the world? If so, visit www.alorababy.com/buy-back to arrange a collection and buy-back so that we can save more materials, reduce greenhouse gas emissions, and power the amazing circular economy!!